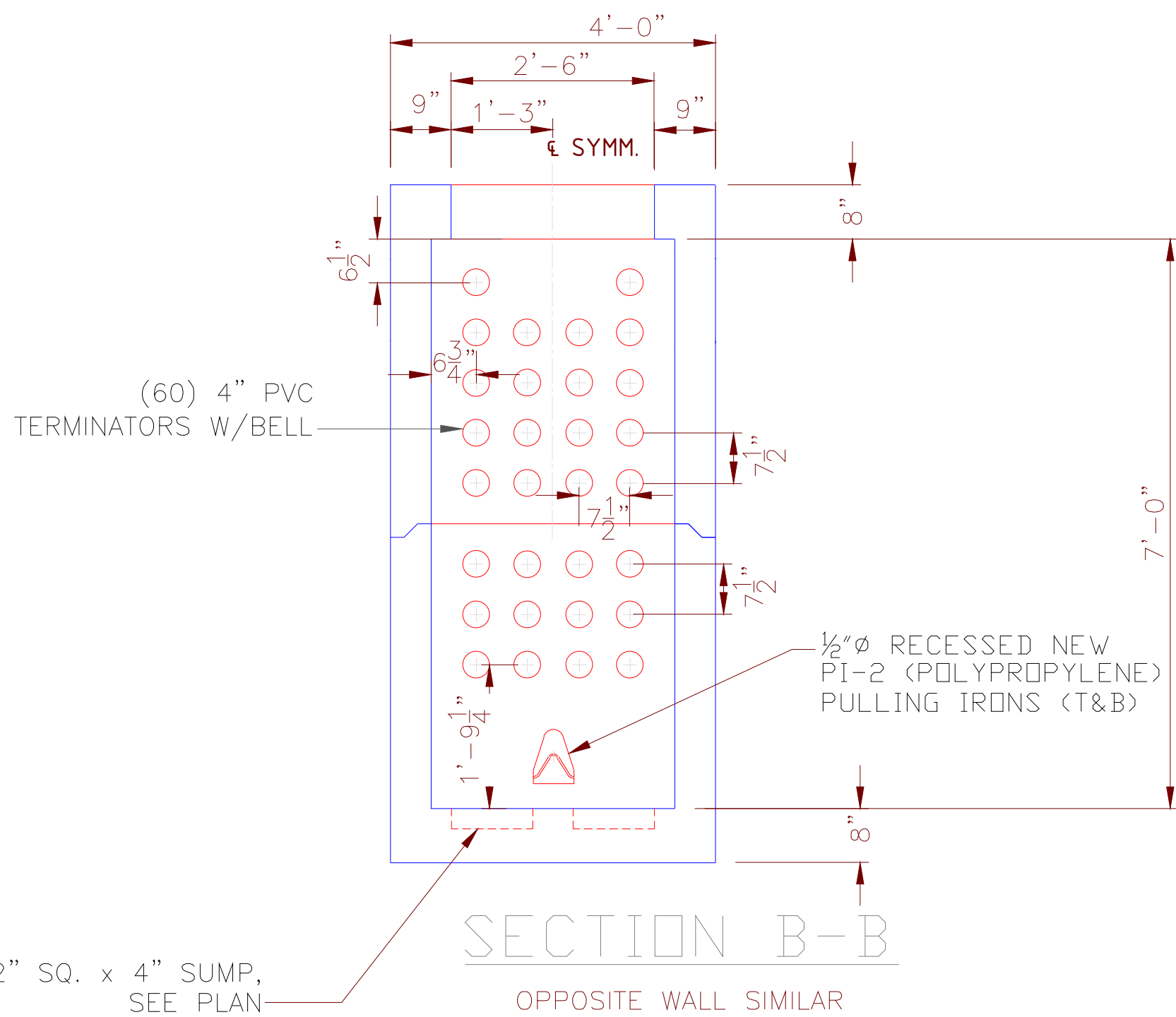




HEX MANHOLE Conc. 3'X18'X7'D

REVISIONS				
ZONE	REV	DESCRIPTION	DATE	APPROVED



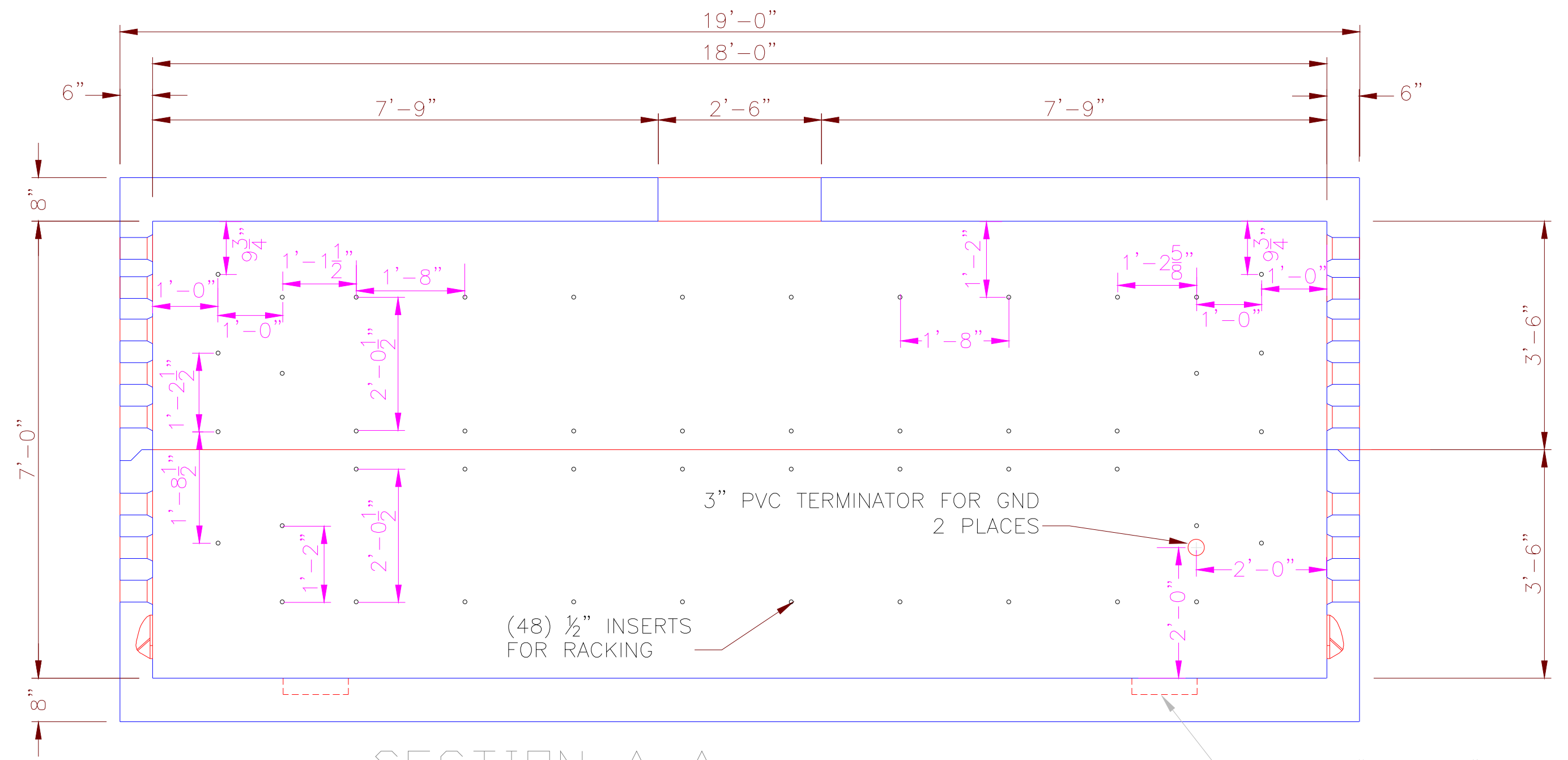
NOTES:

1. CONCRETE: 5,000 PSI MINIMUM AFTER 28 DAYS.
2. DESIGN LOADING: AASHTO HS20-44, 0 TO 5 FEET COVER.
3. STEEL REINFORCEMENT CONFORMS TO ASTM A615, GRADE 60.
4. MINIMUM STEEL COVER 1".

FILE NAME	3187_01.dwg		
CONTRACT NO	C17A6CP2		
DRAWN	8/24/2024		
CHECK			
APPR.			
ISSUED			
Tunnel Vault 3187		 <small>TWDX Infrastructure Engineering & Projects Division 70 Inner Belt Road, Suite M1 Somerville, MA 02143 PHONE (617) 863-8325</small>	
 <small>Know what's below. Call before you dig.</small>		<small>Slate law requires that you notify Dig Safe® at least 72 hours prior to any excavation (MGL c.82 § 40A). 811 or 888-DIG-SAFE (344-7233)</small>	
NOT FOR CONSTRUCTION			
SIZE	SEQ. NO	DWG NO	REV
	-	C19BA - 206	
SCALE	WEIGHT	SHEET 1 OF 3	

HEX MANHOLE Conc. 3'X18'X7'D

REVISIONS				
ZONE	REV	DESCRIPTION	DATE	APPROVED





SECTION A-A
OPPOSITE WALL SIMILAR

(2) 12" SQ. x 4" SUMP,
SEE PLAN

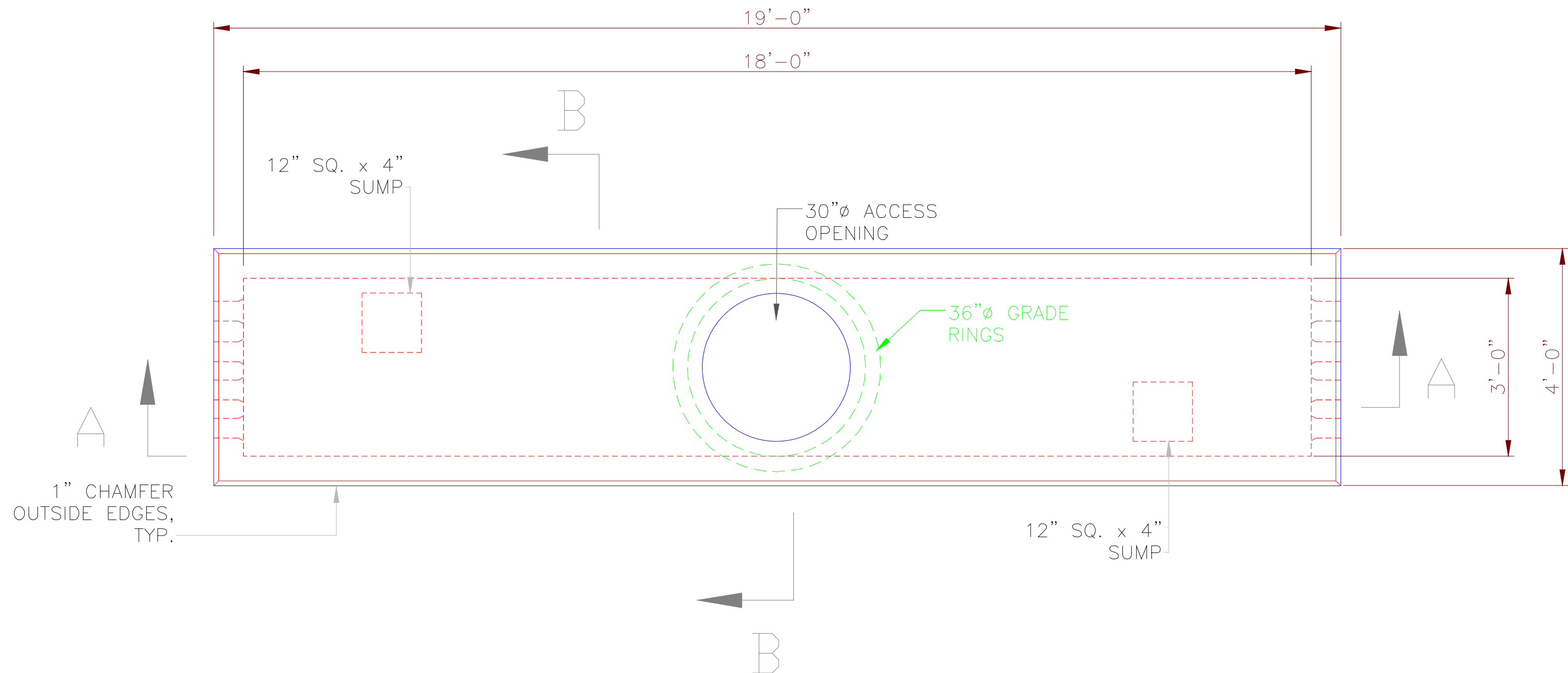
NOTES:

1. CONCRETE: 5,000 PSI MINIMUM AFTER 28 DAYS.
2. DESIGN LOADING: AASHTO HS20-44, 0 TO 5 FEET COVER.
3. STEEL REINFORCEMENT CONFORMS TO ASTM A615, GRADE 60.
4. MINIMUM STEEL COVER 1".

FILE NAME 3187_02.dwg	Tunnel Vault 3187		
CONTRACT NO C17A6CP2	 <small>TWDX Infrastructure Engineering & Projects Division 70 Inner Salt Road, Suite M1 Somerville, MA 02143 PHONE (617) 863-8325</small>		
DRAWN 8/24/2024	 <small>Know what's below. Call before you dig. 811 or 888-DIG-SAFE (344-7233)</small>		
CHECK	<small>Slate law requires that you notify Dig Safe® at least 72 hours prior to any excavation (MGL c.82 § 40A).</small>		
APPR.	NOT FOR CONSTRUCTION		
ISSUED	SIZE	SEQ. NO	DWG NO
		-	C19BA - 206
	SCALE	WEIGHT	REV
			SHEET 2 OF 3



HEX MANHOLE Conc. 3'X18'X7'D

REVISIONS				
ZONE	REV	DESCRIPTION	DATE	APPROVED



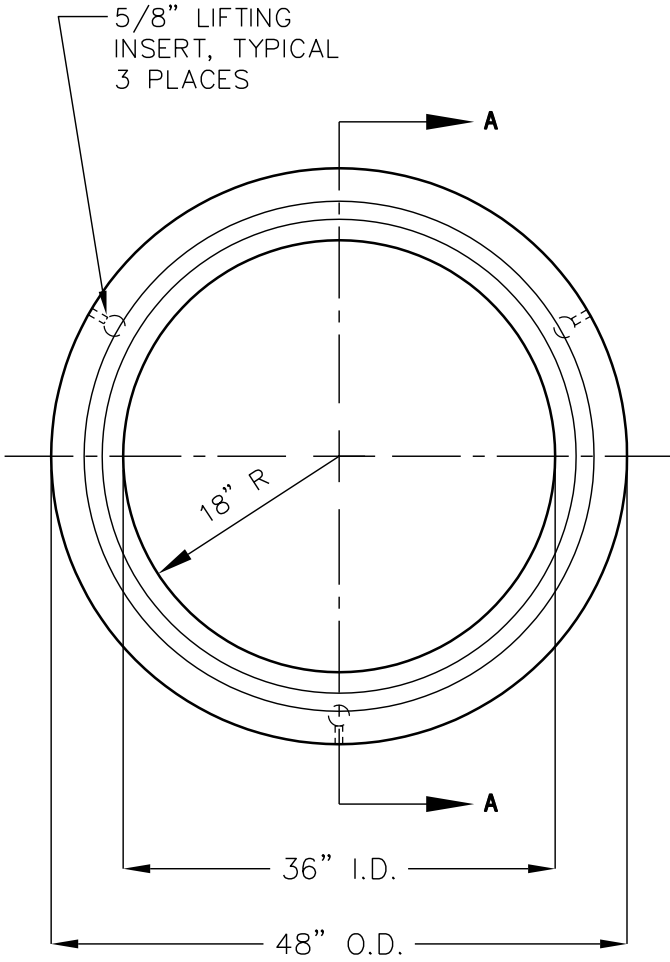
NOTES:

1. CONCRETE: 5,000 PSI MINIMUM AFTER 28 DAYS.
2. DESIGN LOADING: AASHTO HS20-44, 0 TO 5 FEET COVER.
3. STEEL REINFORCEMENT CONFORMS TO ASTM A615, GRADE 60.
4. MINIMUM STEEL COVER 1".

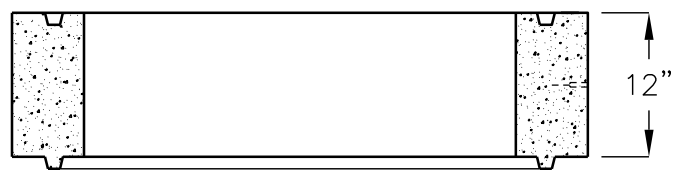
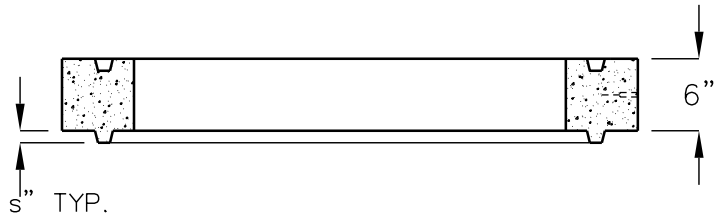
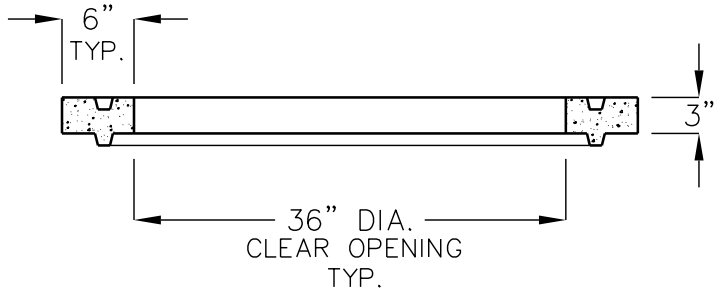
FILE NAME	3187_03.dwg			Tunnel Vault 3187	
CONTRACT NO	C17A6CP2			 TWDX Infrastructure Engineering & Projects Division 70 Inner Belt Road, Suite M1 Somerville, MA 02143 PHONE (617) 863-8325	
DRAWN	8/24/2024			 State law requires that you notify Dig Safe® at least 72 hours prior to any excavation (MGL c.82 § 40A). 811 or 888-DIG-SAFE (344-7233)	
CHECK				NOTICE TO UTILITY LOCATORS: All TOWARDEX owned underground facilities, including ducts and cable vaults shall be delineated and marked on surface with identifying abbreviation of "TWDX".	
APPR.				NOT FOR CONSTRUCTION	
ISSUED	SIZE	SEQ. NO	DWG NO	REV	
		-	C19BA - 206		
	SCALE	WEIGHT	SHEET 3 OF 3		

GRADE RINGS/RISERS

MODEL 3648 36" I.D. - 6" WALL



TOP VIEW

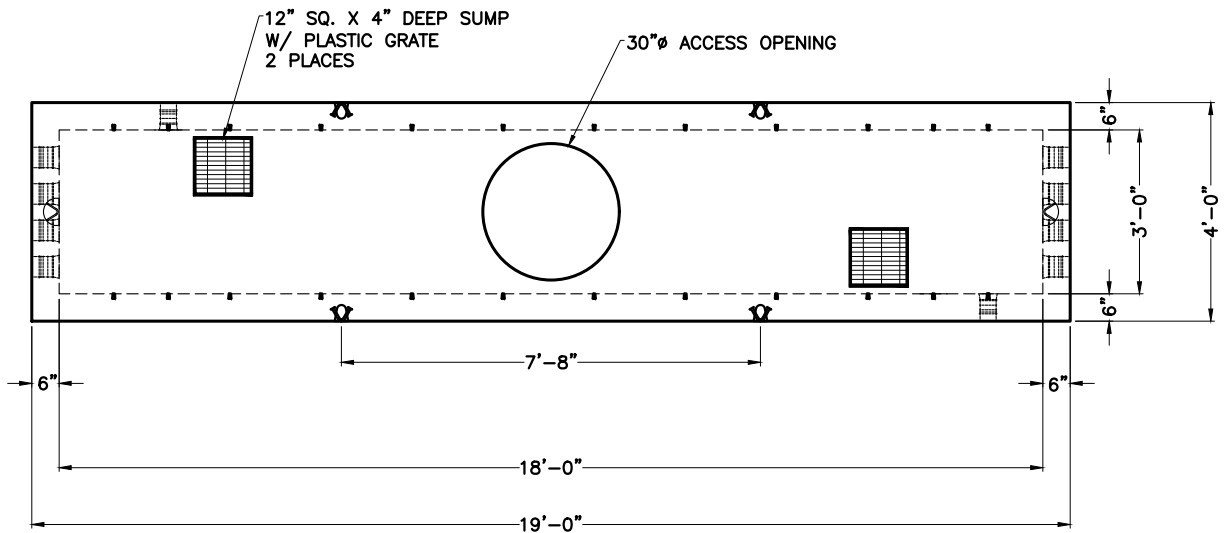


SECTION A-A

DESCRIPTION	APPROX. WEIGHT
3648 GR-03 GRADE RING	170 LBS.
*3648 GR-06 GRADE RING	415 LBS.
*3648 GR-12 GRADE RING	830 LBS.

CONFORMS TO CURRENT SPECIFICATIONS:
 ASTM C-478 AND AASHTO NO. M-199-811
 *MANUFACTURED WITH 3 - 5/8"
 LIFTING INSERTS

FOR COMPLETE DESIGN
 AND PRODUCT INFORMATION,
 CONTACT JENSEN PRECAST.

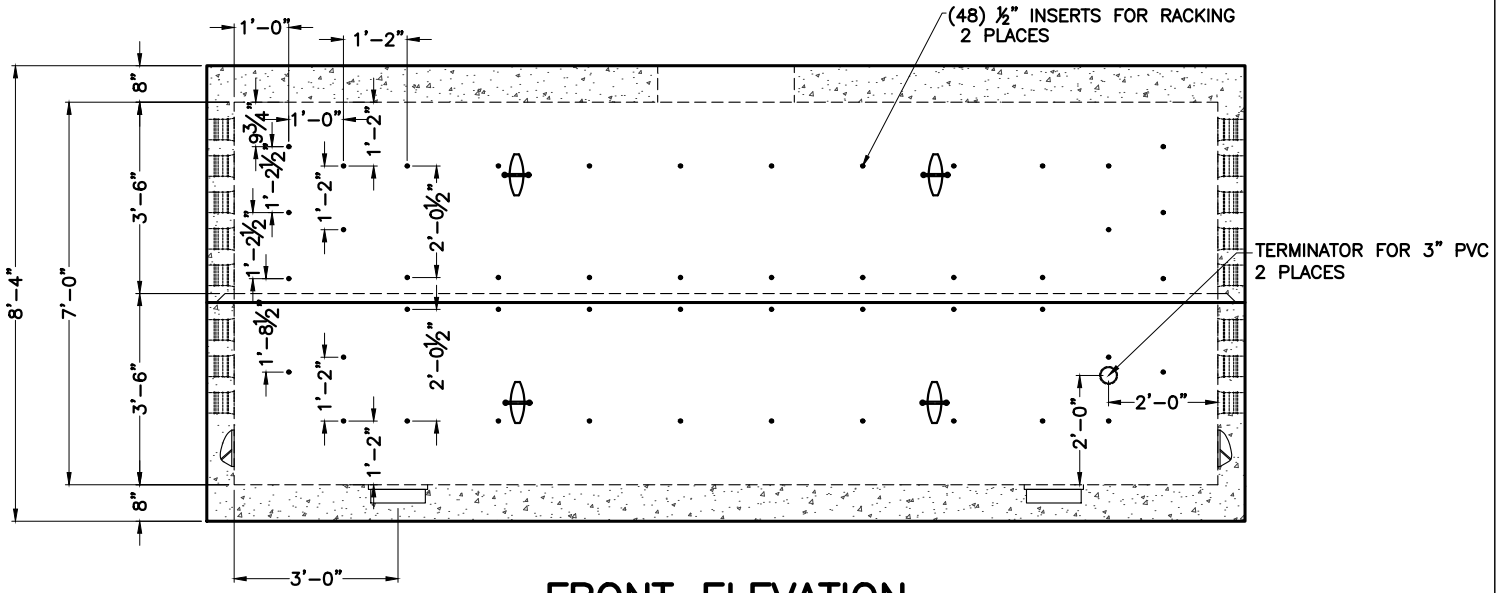


PLAN

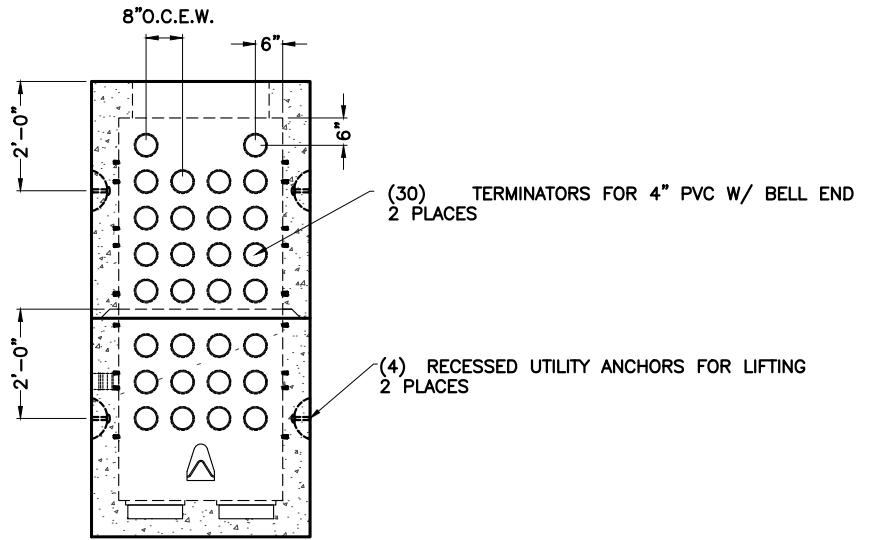
NOTES:

1. CONCRETE: 5,000 PSI MINIMUM AFTER 28 DAYS.
2. DESIGN LOADING: AASHTO HS20-44, T.O.C. 1FT +/- BELOW GRADE.
3. STEEL REINFORCEMENT CONFORMS TO ASTM A615, GRADE 60. MINIMUM COVER 1"
4. ALL TERMINATORS SHALL HAVE BELL ENDS FLUSH WITH THE INSIDE WALL.
5. CONSTRUCTION JOINT SHALL BE SEALED WITH 1"Ø BUTYL RUBBER OR APPROVED EQUAL.

SHEA PRODUCT ID: CMANHOLE		FILE NAME: TOWARDEX MH 3X18X7		
WEIGHT (LBS): 36,550	DRAWN BY: L.P.	DATE: 8/8/2024	PAGE: 1 OF 2	



FRONT ELEVATION



SIDE ELEVATION

SHEA PRODUCT ID:	CMANHOLE	FILE NAME:	TOWARDEX MH 3X18X7		
WEIGHT (LBS):	55,380	DRAWN BY:	L.P.	DATE:	8/8/2024
				PAGE:	2 OF 2

